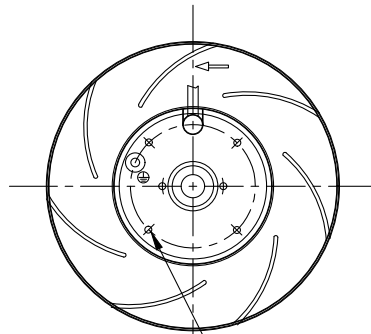


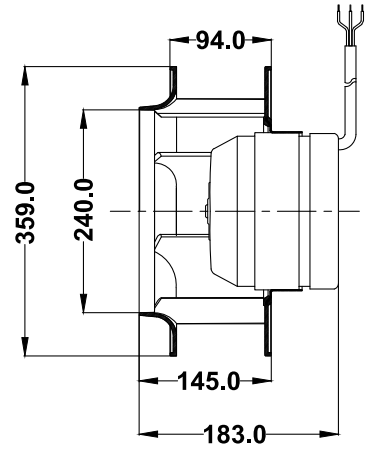
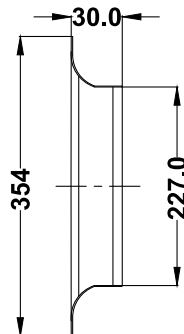


Industrial Fans & Blowers

# TECHNICAL DATA SHEET



M6X10mm 4Nos.  
on Ø90 mm. PCD



NOTE:- ALL DIMENSION ARE IN MM.

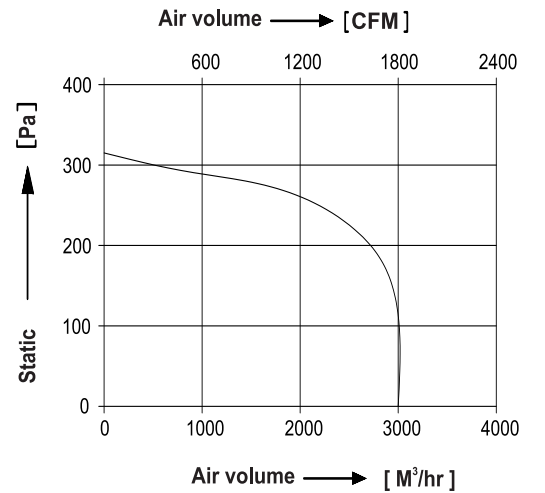
## SPECIFICATIONS (50 Hz)

Volt (V)	Watts (W)	Current (A)	Speed (RPM)	Capacitor (µF)	Air Vol. (m <sup>3</sup> /hr)	Air Vol. (CFM)	Noise (dBA)	Nt. Wt. (Kg)
415	200	0.70	1400	—	3000	1800	71	5.00

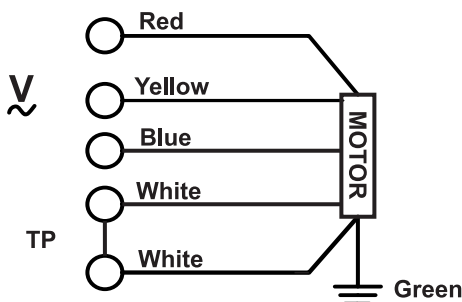
## MECHANICAL CHARACTERISTIC

Impeller	Aluminum Powder Coated
Rotor	Powder Coated
Type Of Protection	IP-54
Motor Protected	Thermally Protected At 140°C
Insulation Class	"F"
Bearing	Maintenance Free Ball Bearing
Permissible Ambient Temperature	-20° To +60°C
High Voltage Test According to IS	4894-1987
Direction Of Rotation	clockwise Seen On Rotor,
Balancing Grade	Fans Conform 6.3 Grade As Recommended By IS 1940-1-2003

## PERFORMANCE CURVE



## WIRING DIAGRAM



DRAWN BY	V.J.P	TITLE:- <b>MODEL : BC355-4D-K4</b>
CHECKED BY	J.G.P	
APPROVED BY	S.B.D	
SCALE N.T.S.	SHEET 1 OF 1	REV/DATE: 06,09.02.2024

Note:- All Information contained in this document is **CONFIDENTIAL** and the property of ROTECH. Reproduction of this in any form is to be done with the specific permission of the company.