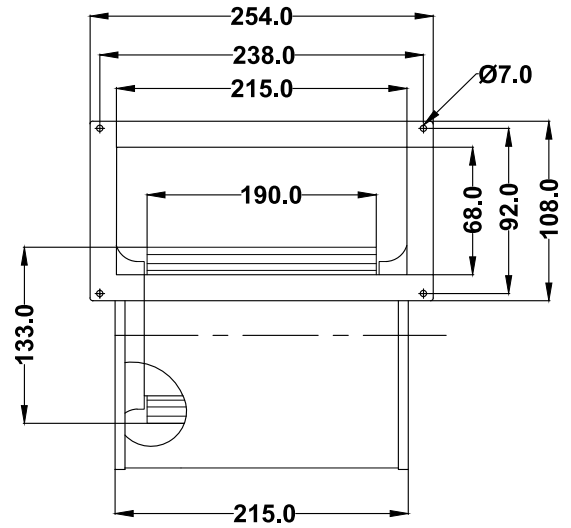
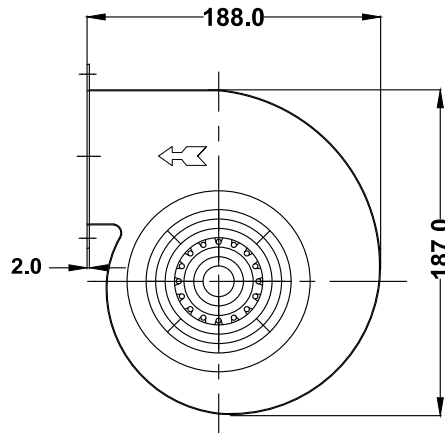


Industrial Fans & Blowers

TECHNICAL DATA SHEET



NOTE:- ALL DIMENSION ARE IN MM.

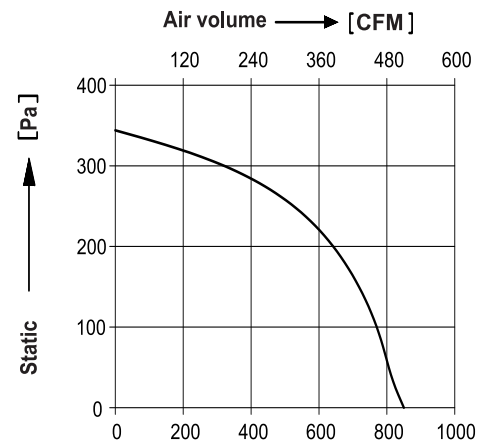
SPECIFICATIONS (50 Hz)

| Volt (V) | Watts (W) | Current (A) | Speed (RPM) | Capacitor (µF) | Air Vol. (m ³ /hr) | Air Vol. (CFM) | Noise (dBA) | Nt. Wt. (Kg) |
|----------|-----------|-------------|-------------|----------------|-------------------------------|----------------|-------------|--------------|
| 230 | 180 | 0.73 | 1450 | 3.15 | 850 | 510 | 75 | 3.9 |

MECHANICAL CHARACTERISTIC

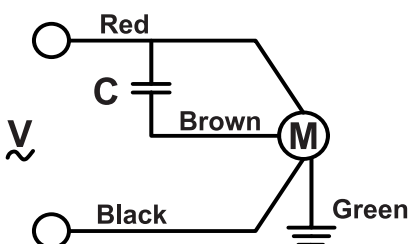
| | |
|-----------------------------------|---|
| Impeller | G.I, Zinc Plated |
| Grill | Steel, Powder Coated |
| Rotor | Powder Coated |
| Housing | Steel, Powder Coated In Black |
| Type Of Protection | IP-44 |
| Insulation Class | "F" |
| Bearing | Maintenance Free Ball Bearing |
| Permissible Ambient Temperature | -20° To +60°C |
| High Voltage Test According to IS | 4894-1987 |
| Direction Of Rotation | Counter Clockwise, Seen On Rotor, |
| Balancing Grade | Fans Conform 6.3 Grade As Recommended By IS 1940-1-2003 |

PERFORMANCE CURVE



Conversion: 100pa ≈ 0.4" H₂O 100m³/hr ≈ 60cfm

WIRING DIAGRAM



| | | |
|-----------------|-----------------|---------------------------------------|
| DRAWN BY | V.J.P | TITLE:- MODEL : DI133-2E-S3 |
| CHECKED BY | J.G.P | |
| APPROVED BY | S.B.D | |
| SCALE N.T.S. | SHEET 1 OF 1 | REV/DATE: 04,11.02.2024 |

Note:- All Information contained in this document is **CONFIDENTIAL** and the property of ROTECH
Reproduction of this in any form is to be done with the specific permission of the company.