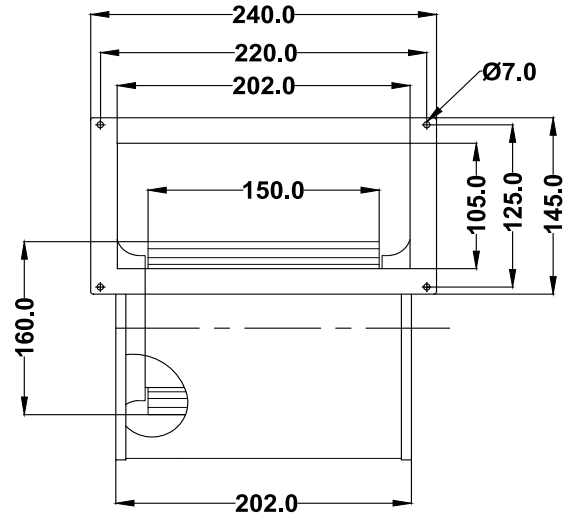
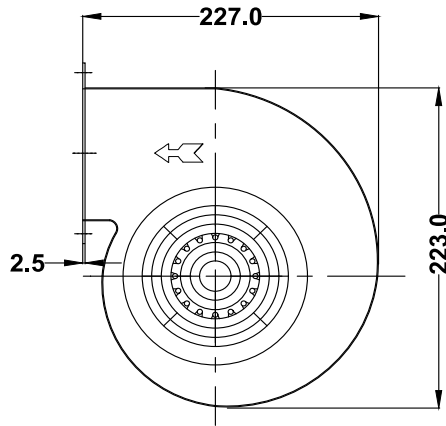


Industrial Fans & Blowers

# TECHNICAL DATA SHEET



NOTE:- ALL DIMENSION ARE IN MM.

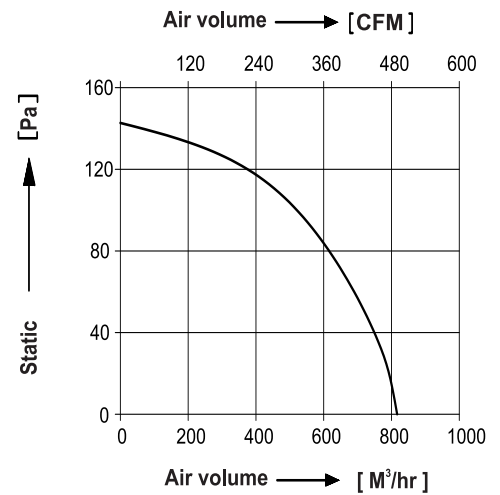
## SPECIFICATIONS (50 Hz)

| Volt (V) | Watts (W) | Current (A) | Speed (RPM) | Capacitor (µF) | Air Vol. (m <sup>3</sup> /hr) | Air Vol. (CFM) | Noise (dBA) | Nt. Wt. (Kg) |
|----------|-----------|-------------|-------------|----------------|-------------------------------|----------------|-------------|--------------|
| 230      | 115       | 0.47        | 1200        | 3.15           | 815                           | 490            | 69          | 4.8          |

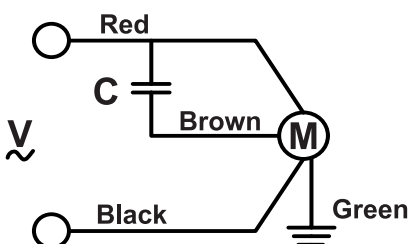
## MECHANICAL CHARACTERISTIC

|                                   |   |
|-----------------------------------|---|
| Impeller                          | G.I, Zinc Plated  |
| Grill                             | Steel, Powder Coated                                    |
| Rotor                             | Powder Coated   |
| Housing                           | Steel, Powder Coated In Black                           |
| Type Of Protection                | IP-44   |
| Insulation Class                  | "F"   |
| Bearing                           | Maintenance Free Ball Bearing                           |
| Permissible Ambient Temperature   | -20° To +60°C   |
| High Voltage Test According to IS | 4894-1987   |
| Direction Of Rotation             | Counter Clockwise, Seen On Rotor,                       |
| Balancing Grade                   | Fans Conform 6.3 Grade As Recommended By IS 1940-1-2003 |

## PERFORMANCE CURVE



Conversion: 100pa ≈ 0.4" H<sub>2</sub>O 100m<sup>3</sup>/hr ≈ 60cfm



|                 |                 |                                       |
|-----------------|-----------------|---------------------------------------|
| DRAWN BY        | V.J.P           | TITLE:-<br><b>MODEL : DI160-4E-S3</b> |
| CHECKED BY      | J.G.P           |                                       |
| APPROVED BY     | S.B.D           |                                       |
| SCALE<br>N.T.S. | SHEET<br>1 OF 1 | REV/DATE: 04, 11.02.2024              |

Note:- All Information contained in this document is **CONFIDENTIAL** and the property of ROTECH. Reproduction of this in any form is to be done with the specific permission of the company.