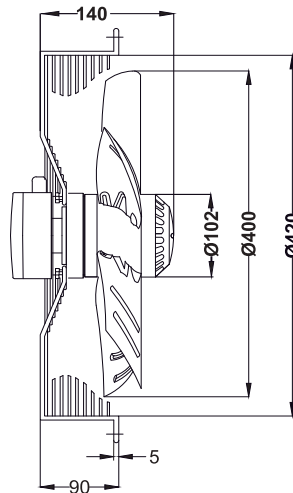


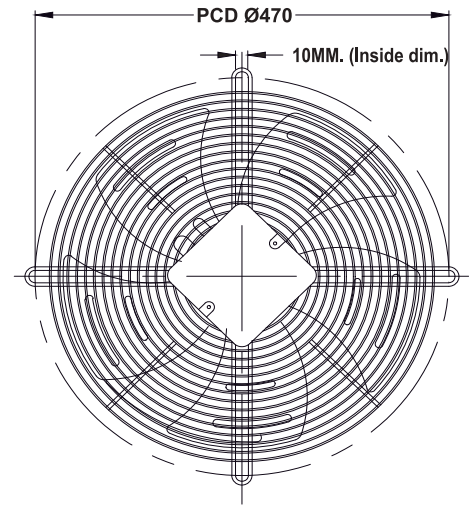
Industrial Fans & Blowers

PRODUCT SPECIFICATIONS

AF400-4D-K4



Airflow Direction
 Sucking ←
 Blowing →



NOTE:- ALL DIMENSION ARE IN MM.

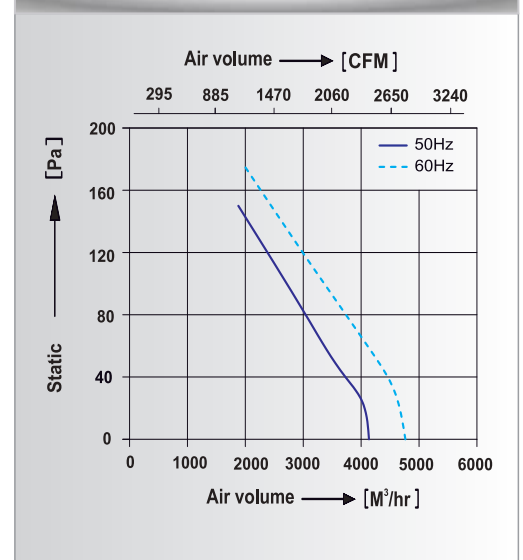
SPECIFICATIONS (50 & 60 Hz)

Volt (V) ±10%	Frequency (Hz)	Watt (W) ±10%	Current (A) ±10%	Speed (RPM) ±100	Capacitor (µF)	Air Vol. (m ³ /hr)	Air Vol. (CFM)	Noise (dBA)	Nt. Wt. (Kg)
415	50	180	0.57	1400	---	4150	2443	64	5.6
	60	220	0.50	1600		4700	2766	67	

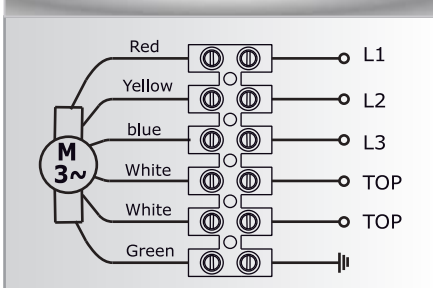
MECHANICAL CHARACTERISTICS

Blade & Grill	Steel Powder Coated
Type Of Application	S1 Continuous Duty
Ingress Protection Rating	IP-54
Motor Protected	Thermal Overload Protector At 140°C
Insulation Class	"F"
Bearing	Maintenance Free Ball Bearing
Permissible Ambient Temperature	-30° To +60°C
Manufacturing Standards	EN-60335-1
Testing Standards	IS-3588-1987
Balancing Grade	IS-1940-1-2003, Grade 6.3
Noise	A-weighted overall sound power level Distance of 1 meter
Product Life	30,000 hours (At 40°C)

PERFORMANCE CURVE



WIRING DIAGRAM



Note:-

- 1) All Information contained in this document is confidential and the property of ROTECH. Reproduction of this in any form is to be done with the specific permission of the company
- 2) In view of continuous improvement and upgradation of products, the design, the specification, dimensions and information contained herein are subject to change without notice.