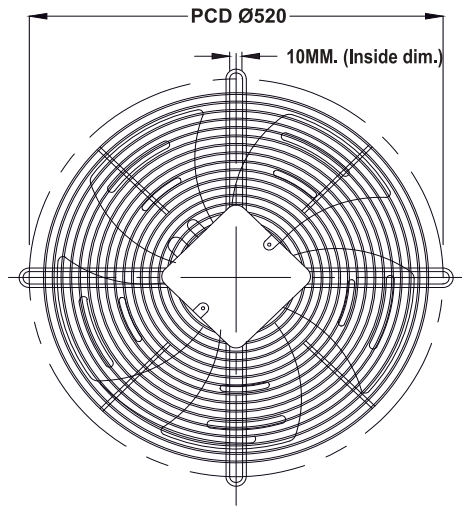
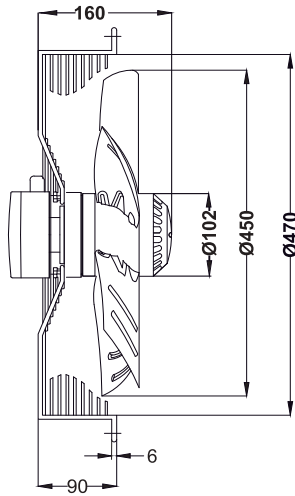




Industrial Fans & Blowers

# PRODUCT SPECIFICATIONS

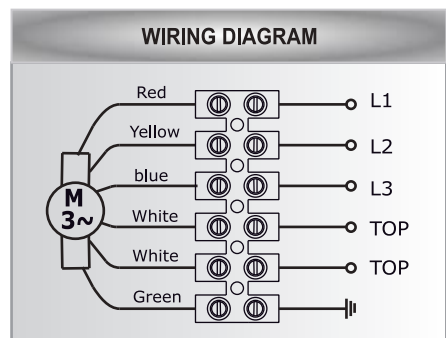
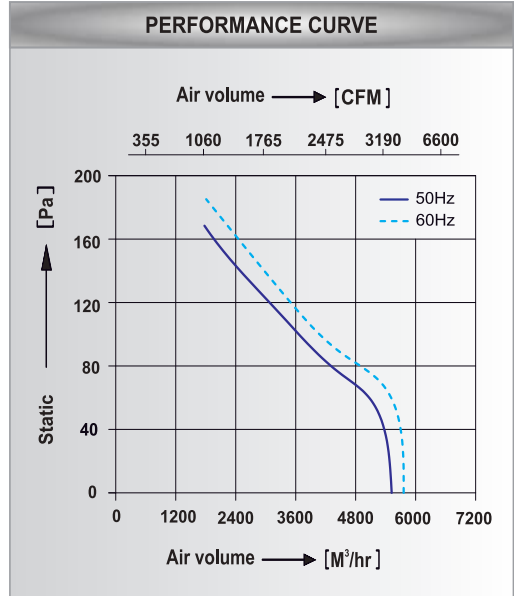
## AF450-4D-K5



NOTE:- ALL DIMENSION ARE IN MM.

SPECIFICATIONS (50 & 60 Hz)									
Volt (V) ±10%	Frequency (Hz)	Watt (W) ±10%	Current (A) ±10%	Speed (RPM) ±100	Capacitor (µF)	Air Vol. (m <sup>3</sup> /hr)	Air Vol. (CFM)	Noise (dBA)	Nt. Wt. (Kg)
415	50	250	0.60	1400	---	5500	3237	65	6.6
	60	310	0.67	1500		5700	3355	67	

MECHANICAL CHARACTERISTICS	
Blade & Grill	Steel Powder Coated
Type Of Application	S1 Continuous Duty
Ingress Protection Rating	IP-54
Motor Protected	Thermal Overload Protector At 140°C
Insulation Class	"F"
Bearing	Maintenance Free Ball Bearing
Permissible Ambient Temperature	-30° To +60°C
Manufacturing Standards	EN-60335-1
Testing Standards	IS-3588-1987
Balancing Grade	IS-1940-1-2003, Grade 6.3
Noise	A-weighted overall sound power level Distance of 1 meter
Product Life	30,000 hours (At 40°C)



**Note:-**  
 1) All Information contained in this document is confidential and the property of ROTECH. Reproduction of this in any form is to be done with the specific permission of the company  
 2) In view of continuous improvement and upgradation of products, the design, the specification, dimensions and information contained herein are subject to change without notice.