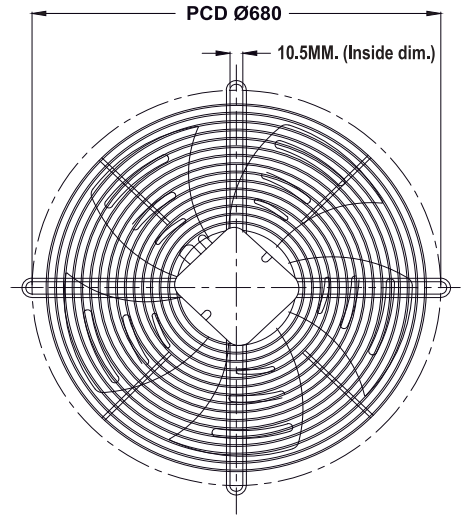
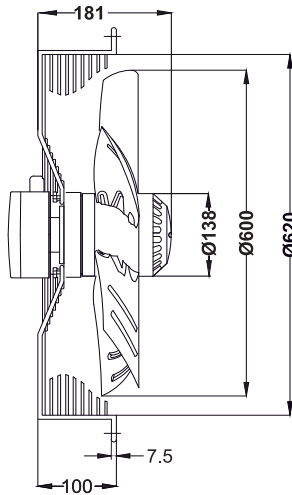




Industrial Fans & Blowers

# PRODUCT SPECIFICATIONS AF600-4E-M7



**NOTE:- ALL DIMENSION ARE IN MM.**

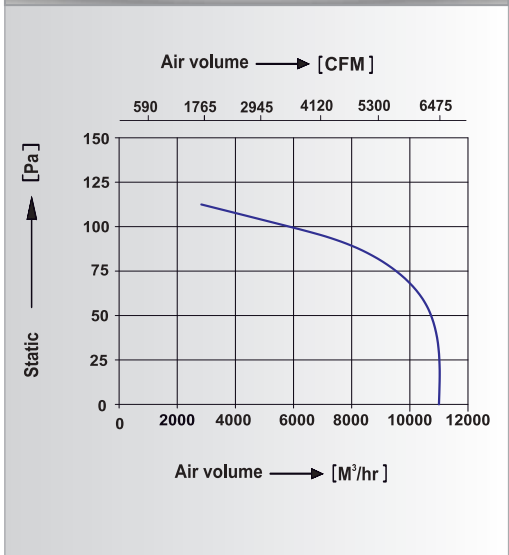
### SPECIFICATIONS (50 Hz)

Volt (V)	Frequency (Hz)	Watt (W)	Current (A)	Speed (RPM)	Capacitor (μF)	Air Vol. (m <sup>3</sup> /hr)	Air Vol. (CFM)	Noise (dBA)	Nt. Wt. (Kg)
±10%		±10%	±10%	±100					
230	50	710	3.00	1150	16.00	11000	6475	76	14.8

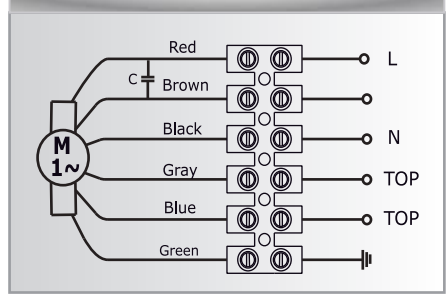
### MECHANICAL CHARACTERISTICS

Blade & Grill	Steel Powder Coated
Type Of Application	S1 Continuous Duty
Ingress Protection Rating	IP-54
Motor Protected	Thermal Overload Protector At 140°C
Insulation Class	"F"
Bearing	Maintenance Free Ball Bearing
Permissible Ambient Temperature	-30° To +60°C
Manufacturing Standards	EN-60335-1
Testing Standards	IS-3588-1987
Balancing Grade	IS-1940-1-2003, Grade 6.3
Noise	A-weighted overall sound power level Distance of 1 meter
Product Life	30,000 hours (At 40°C)

### PERFORMANCE CURVE



### WIRING DIAGRAM



**Note:-**  
 1) All Information contained in this document is confidential and the property of ROTECH. Reproduction of this in any form is to be done with the specific permission of the company  
 2) In view of continuous improvement and upgradation of products, the design, the specification, dimensions and information contained herein are subject to change without notice.